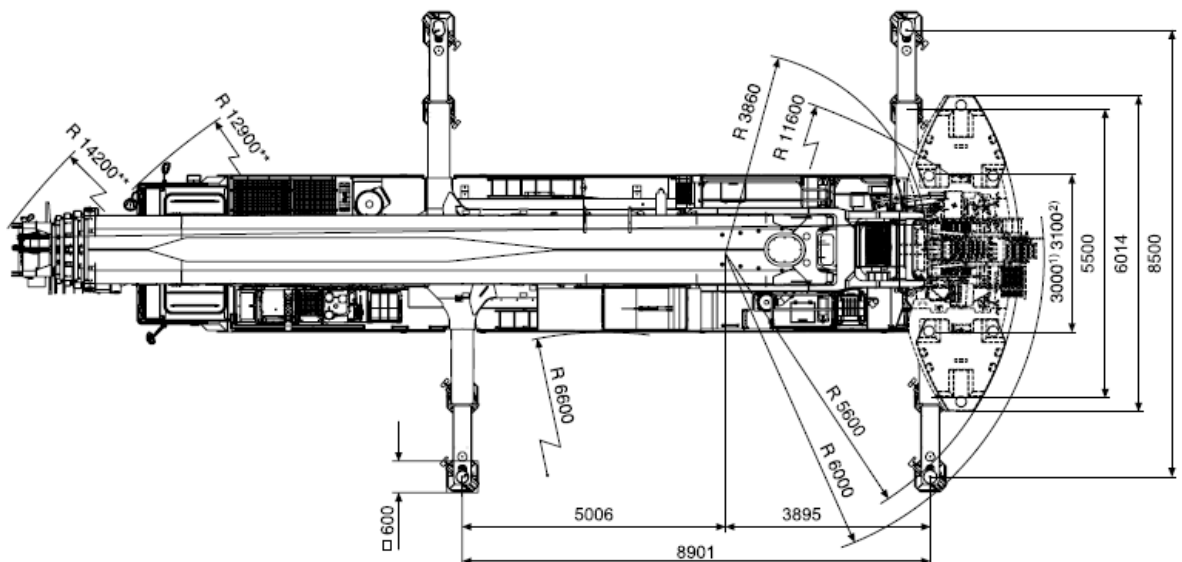
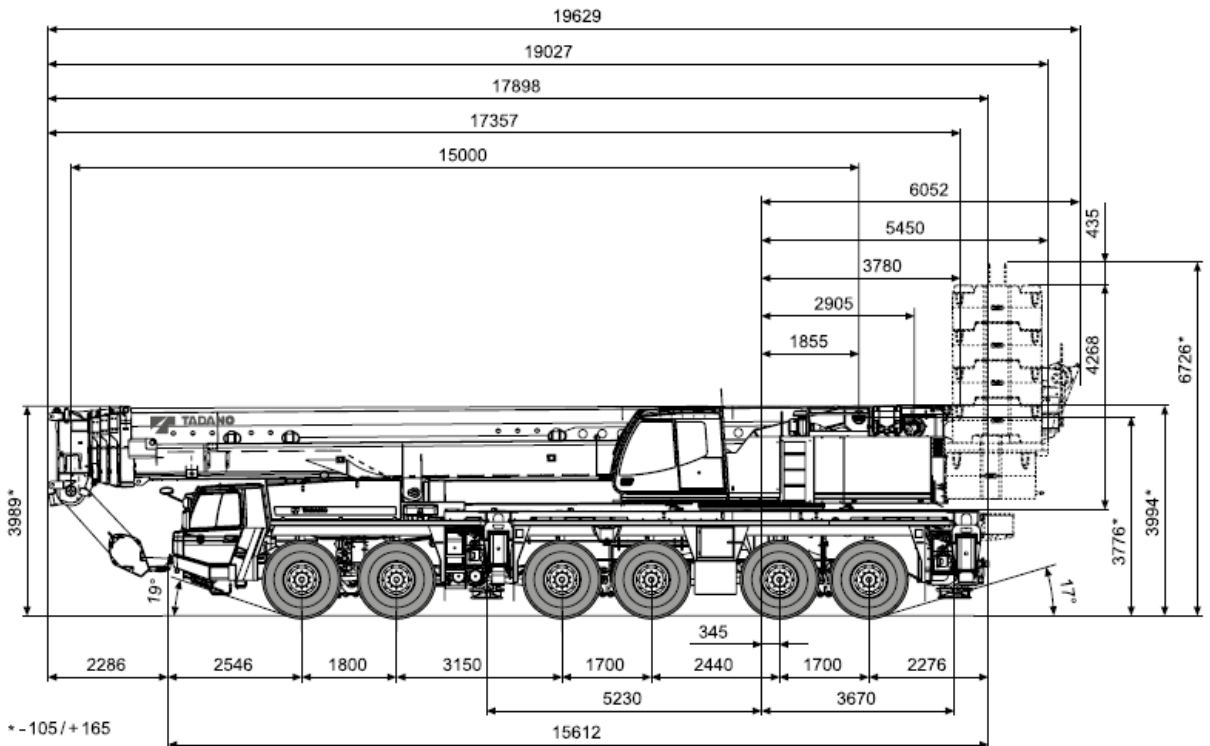


Der Kraft-Mayer

MAYER

TADANO

ATF 400G-6





## ATF 400G-6

Axle loads · Achslasten · Charges par essieu  
Cargas por eje · Carichi assiali · Нагрузка на ось

	TOTAL			TYPE		
< 12 t	< 72 t <sup>***</sup>	12 x 8	445/95 R 25	12.5	-	0 t
< 16.5 t	< 81 t <sup>***</sup>	12 x 8	445/95 R 25	100	-	7.5 t
max <sup>**</sup>	192 t <sup>****</sup>	12 x 8	445/95 R 25	40	-	118 t

\* Axle loads vary depending on equipment mounted. Individual calculation available on demand. · Achslasten variieren je nach Ausrüstungsumfang. Individuelle Berechnung auf Anfrage.  
Las cargas por ejes pueden variar según el equipamiento. Cálculo individual sobre pedido. · Les charges par essieux peuvent varier en fonction de l'équipement monté. Calcul individuel sur demande.  
I carichi degli assi variano in base all'entità dell'equipaggiamento. Calcolo individuale su richiesta. · Нагрузка на ось зависит от установленного оборудования. Индивидуальный расчет по запросу.

\*\* Construction site · Baustelle · Chantier de construction · Obra · Cantiere · стройплощадка

\*\*\* Without second winch · Ohne zweite Winde · Sans deuxième treuil · Sin segundo cabrestante · Senza secondo argano · Без второй лебедки

\*\*\*\* Including second winch · Inklusive zweite Winde · Y compris deuxième treuil · Incl. segundo cabrestante · Incluso secondo argano · Без второй лебедки

Speeds and gradeability · Geschwindigkeiten und Steigfähigkeit · Vitesses de conduite et gravissement de pente  
Velocidades y pendientes superables · Velocità e pendenza · Скорость и грузоподъемность

385/95 R 25	85 km/h max.	60 %
445/95 R 25 525/80 R 25	85 km/h max.	53.5 %

Steering · Lenkung · Direction  
Dirección · Sterzo · Рулевое управление

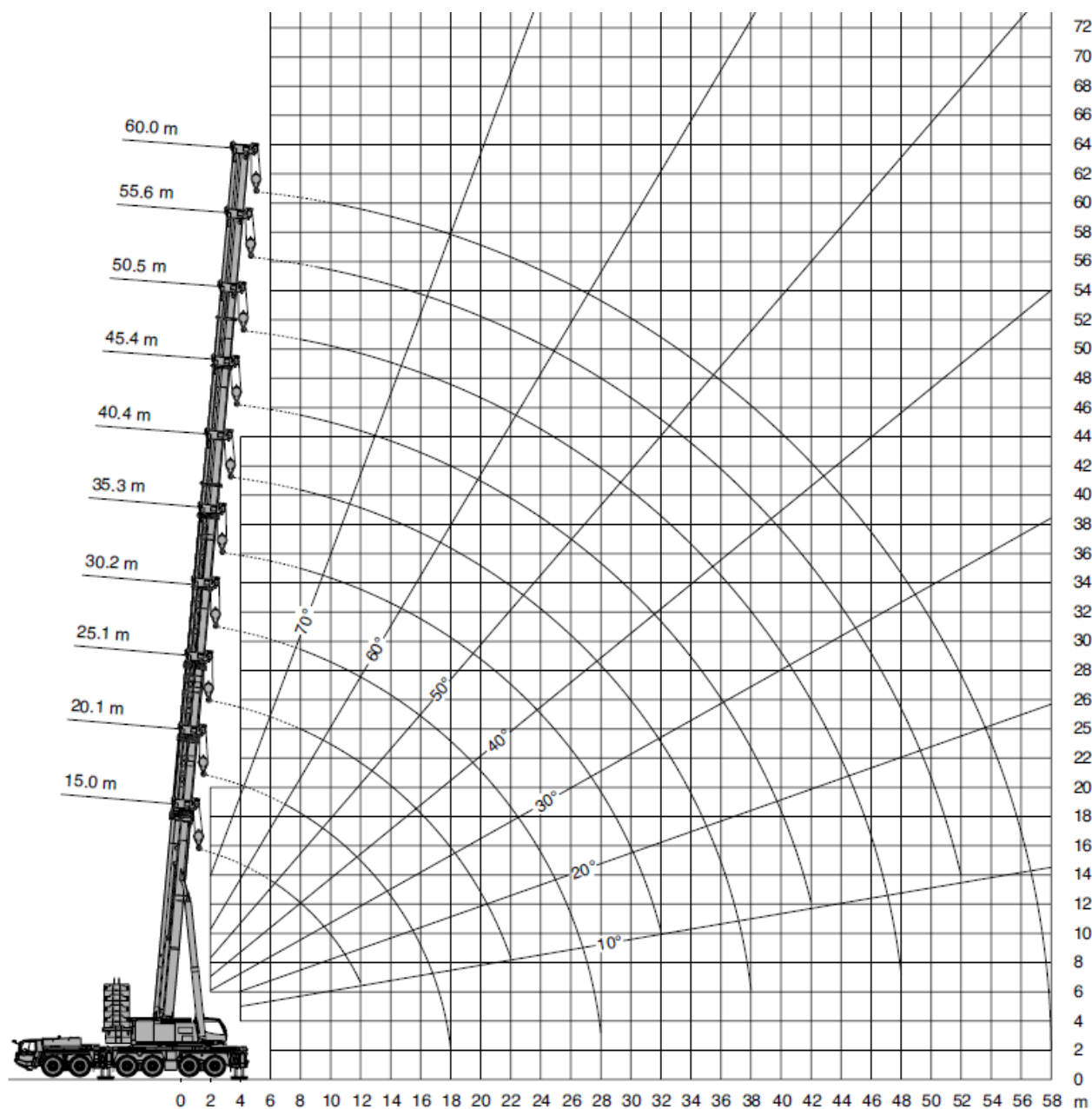
		v < 25 km/h
		25 km/h ≤ v ≤ 50 km/h
		v > 50 km/h
		Manual steering · Manuelle Lenkung · Direction manuelle Dirección manual · Sterzo manuale · Ручное управление
		Smallest turning circle · Kleinster Wendekreis · Rayon de braquage mini. Minimo radio · Raggio di sterzata minimo · Минимальный радиус поворота
		Diagonal steering · Hundegang · Marche en crabe Marcha cangrejo · Sterzataurella carrello · Движение по диагонали
		Rear veering suppression · Heck-Ausscher-Unterdrückung Suppression de déboitement AR · Supresión de movimiento transversal de parte posterior Soppressione oscillazione coda veicolo · Компенсация выноса задней части крана

Der  
Kraft-Mayer

MAYER

**TADANO**

**ATF 400G-6**





















ATF 400G-6



 m	15.0 m	20.1 m	25.1 m	30.2 m	35.3 m	40.4 m	45.4 m	50.5 m	55.6 m	60.0 m
3.0	200.0*	170.0	162.0							
3.5	200.0*	170.0	162.0							
4.0	192.1*	170.0	162.0	139.0						
4.5	177.0*	170.0	162.0	139.0						
5.0	163.7	163.4	162.0	139.0	123.4					
6.0	139.8	139.3	131.2	120.1	109.8	84.2				
7.0	120.9	113.6	106.2	97.2	92.5	84.2	71.6			
8.0	97.9	92.8	87.9	84.2	78.0	72.4	69.2	54.3		
9.0	79.4	78.2	74.6	72.1	67.1	62.5	60.6	54.3	45.0	
10.0	66.4	68.0	66.5	62.8	58.3	54.3	52.9	50.5	45.0	38.0
11.0	56.7	58.2	58.3	55.0	51.1	47.6	46.8	45.9	43.5	38.0
12.0	49.2	50.7	51.3	48.7	45.3	42.2	41.7	41.5	39.0	37.8
14.0		39.2	39.9	39.2	36.4	35.2	35.9	34.1	31.9	31.1
16.0		31.0	31.8	32.5	30.0	31.6	30.0	28.5	26.7	26.0
18.0		25.5	26.0	26.8	25.8	26.9	25.5	24.2	22.6	22.1
20.0			21.7	22.4	22.3	22.6	22.0	20.8	19.3	18.9
22.0			18.5	19.1	18.9	19.1	18.6	18.0	16.7	16.3
24.0				16.4	16.2	16.4	15.9	15.4	14.4	14.2
26.0				14.3	14.1	14.2	13.7	13.2	12.5	12.3
28.0				12.7	12.3	12.3	11.8	11.4	10.7	10.8
30.0					10.8	10.8	10.3	9.8	9.1	9.2
32.0					9.6	9.5	9.0	8.5	7.8	7.9
34.0						8.4	7.8	7.3	6.6	6.7
36.0						7.4	6.8	6.4	5.6	5.7
38.0							6.7	6.0	5.5	4.8
40.0								5.2	4.7	4.1
42.0								4.6	4.0	3.4
44.0									3.4	2.8
46.0									2.9	2.2
48.0									2.5	1.7



 m	15.0 m	20.1 m	25.1 m	30.2 m	35.3 m	40.4 m	45.4 m	50.5 m	55.6 m	60.0 m
3.0	200.0*	170.0	162.0							
3.5	200.0*	170.0	162.0							
4.0	188.2*	170.0	162.0	139.0						
4.5	173.1*	170.0	162.0	139.0						
5.0	158.5	158.1	144.9	131.4	117.8					
6.0	134.4	122.1	112.2	103.7	95.1	84.2				
7.0	105.9	95.4	89.4	84.9	77.7	71.4	68.0			
8.0	83.8	80.6	76.0	70.6	64.6	59.3	57.2	54.0		
9.0	67.8	67.3	63.7	59.4	54.6	50.3	50.6	48.1	44.7	
10.0	56.4	57.0	54.4	51.0	47.0	45.4	44.8	42.1	39.2	37.8
11.0	47.3	49.1	47.2	44.4	40.9	42.1	39.5	37.3	34.7	33.5
12.0	39.8	41.6	41.8	40.8	36.5	37.4	35.2	33.2	30.9	30.0
14.0		31.2	32.2	32.8	31.4	30.3	28.6	27.0	25.0	24.3
16.0		24.4	25.2	26.1	25.9	25.1	23.7	22.3	20.6	20.1
18.0		19.8	20.4	21.2	21.1	21.2	19.9	18.7	17.2	16.8
20.0			16.8	17.5	17.4	17.6	16.9	15.9	14.5	14.2
22.0			14.1	14.7	14.5	14.7	14.2	13.5	12.2	12.0
24.0				12.5	12.3	12.4	11.9	11.5	10.4	10.2
26.0				10.7	10.5	10.6	10.1	9.6	8.8	8.6
28.0				9.4	9.0	9.1	8.5	8.1	7.4	7.3
30.0					7.8	7.8	7.2	6.8	6.1	6.2
32.0					6.8	6.7	6.1	5.7	5.0	5.1
34.0						5.8	5.2	4.7	4.0	4.1
36.0						5.0	4.4	3.9	3.2	3.3
38.0						4.4	3.7	3.2	2.4	2.5
40.0							3.0	2.5	1.8	1.8
42.0								2.5	1.9	