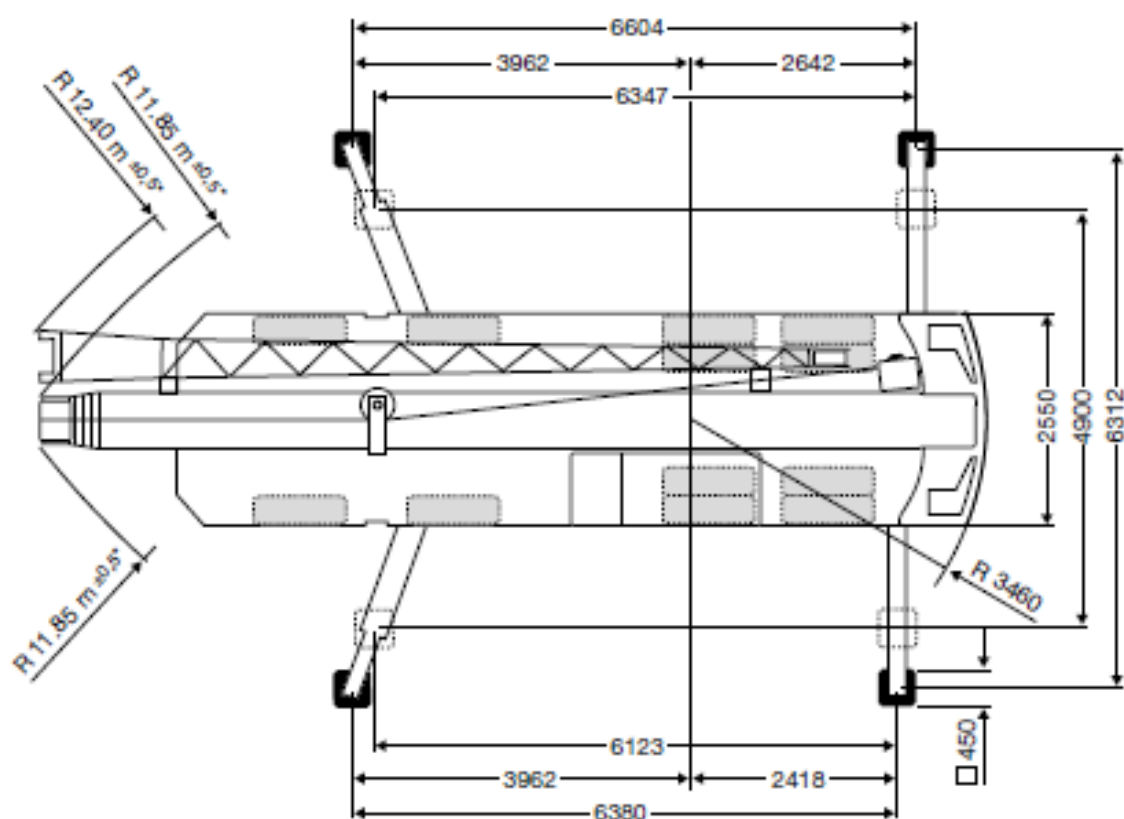
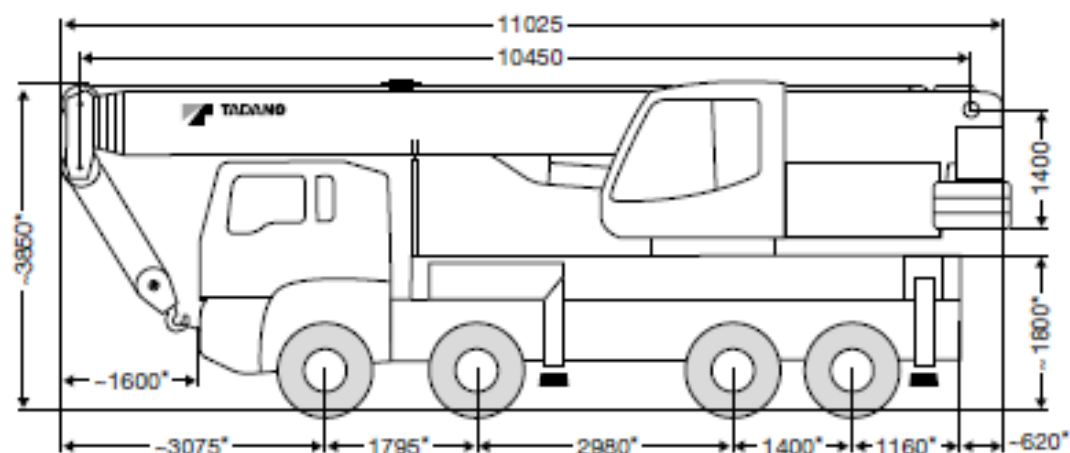


Der
Kraft-Mayer

MAYER

TADANO FAUN

HK 40

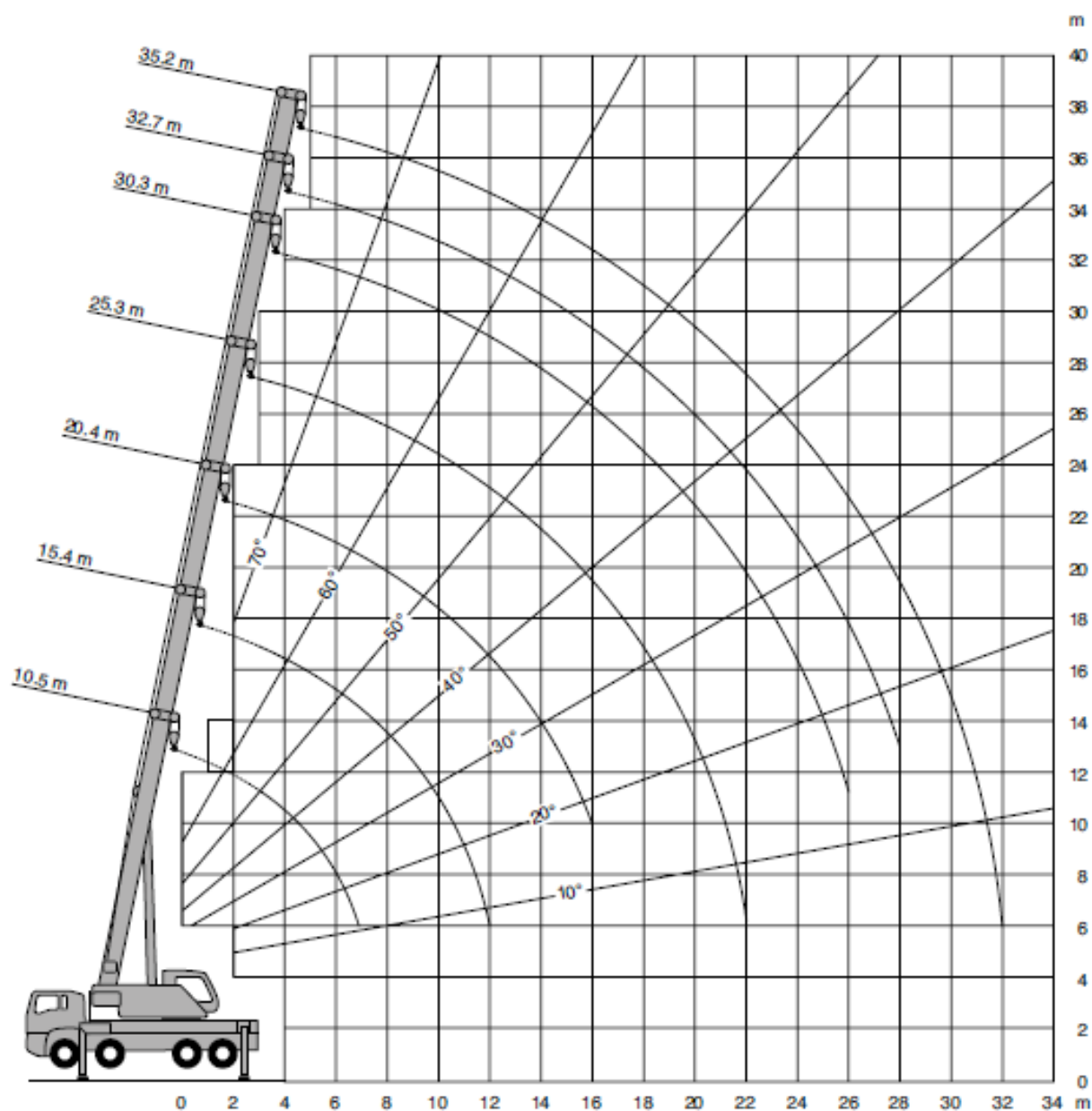


Der
Kraft-Mayer

MAYER

TADANO FAUN


HK 40




TADANO FAUN

HK 40



 m	10.5 m	15.4 m	20.4 m	25.3 m	30.3 m	32.7 m	35.2 m
3.0	35.0**	20.0	20.0	15.0			
3.5	31.1	20.0	20.0	15.0			
4.0	28.3	20.0	20.0	15.0			
4.5	26.1	20.0	20.0	15.0	10.3		
5.0	23.5	20.0	20.0	14.8	10.3		
6.0	19.2	19.4	17.8	13.7	10.3	8.9	7.6
7.0	15.1	15.4	14.5	12.6	10.3	8.9	7.6
8.0		12.2	12.2	11.5	9.6	8.8	7.6
9.0		10.0	10.1	9.9	8.9	8.2	7.6
10.0		8.4	8.4	8.5	8.2	7.6	7.1
11.0		7.1	7.2	7.3	7.2	7.0	6.7
12.0		6.1	6.2	6.2	6.3	6.2	6.1
14.0			4.6	4.7	4.8	4.8	4.8
16.0			3.6	3.6	3.7	3.7	3.7
18.0				2.9	2.9	2.9	2.9
20.0				2.3	2.3	2.3	2.4
22.0				1.9	1.9	1.9	1.9
24.0					1.5	1.5	1.5
26.0					1.2	1.2	1.2
28.0						0.9	0.9
30.0							0.7
32.0							0.6



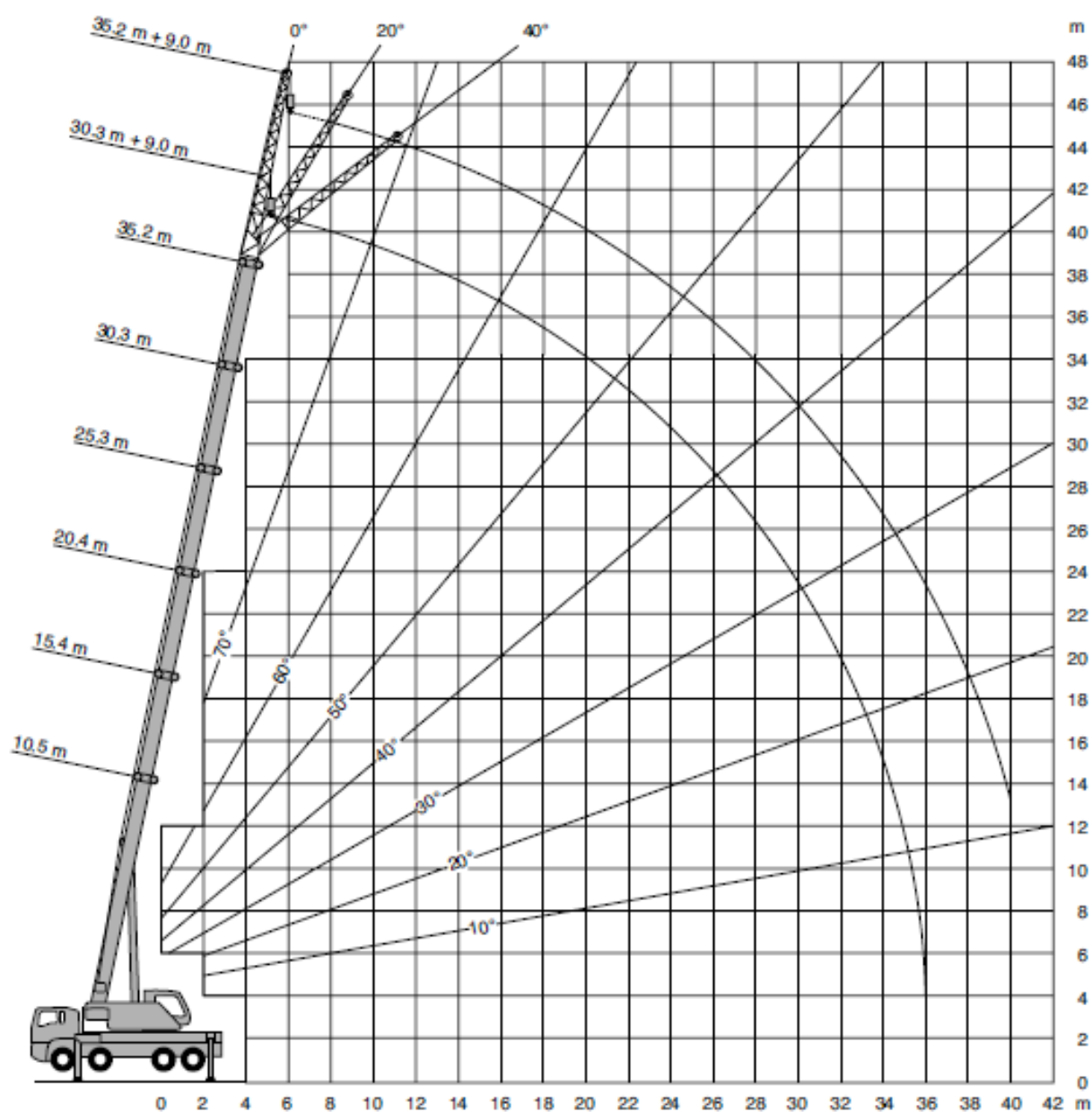
 m	10.5 m	15.4 m	20.4 m	25.3 m	30.3 m	32.7 m	35.2 m
3.0	34.0**	20.0	20.0	15.0			
3.5	31.0	20.0	20.0	15.0			
4.0	28.8	20.0	20.0	15.0			
4.5	26.1	20.0	20.0	15.0	10.3		
5.0	23.4	20.0	20.0	14.8	10.3		
6.0	19.0	17.8	16.3	13.7	10.3	8.9	7.6
7.0	14.2	14.3	13.3	12.4	10.3	8.9	7.6
8.0		11.5	11.1	10.5	9.6	8.8	7.6
9.0		9.4	9.4	8.9	8.4	8.2	7.6
10.0		7.8	7.9	7.6	7.3	7.1	6.9
11.0		6.6	6.6	6.6	6.3	6.2	6.1
12.0		5.6	5.7	5.7	5.6	5.5	5.4
14.0			4.2	4.3	4.3	4.3	4.2
16.0			3.3	3.3	3.3	3.4	3.4
18.0				2.6	2.6	2.6	2.6
20.0				2.0	2.1	2.1	2.1
22.0				1.6	1.6	1.6	1.6
24.0					1.3	1.3	1.3
26.0					1.0	1.0	1.0
28.0						0.7	0.7
30.0							0.5

Der
Kraft-Mayer

MAYER

TADANO FAUN

HK 40



TADANO FAUN

HK 40



m	10.5 m + 9.0 m			30.3 m + 9.0 m			35.2 m + 9.0 m		
	0°	20°	40°	0°	20°	40°	0°	20°	40°
3.0	6.5								
3.5	6.5								
4.0	6.5	6.5							
4.5	6.5	6.5							
5.0	6.5	6.4							
6.0	6.5	6.0		5.1					
7.0	6.5	5.6	4.7	5.1					
8.0	6.4	5.4	4.5	5.1			4.0		
9.0	6.0	5.1	4.4	5.1	4.6		4.0		
10.0	5.6	4.9	4.2	5.1	4.4		4.0		
11.0	5.3	4.6	4.1	4.9	4.2		4.0	3.7	
12.0	5.0	4.4	4.0	4.7	4.1	3.8	4.0	3.5	
14.0	4.6	4.1	3.9	4.3	3.8	3.5	3.7	3.3	3.1
16.0	4.2	4.0		4.0	3.6	3.3	3.4	3.1	2.9
18.0				3.7	3.4	3.2	3.2	2.9	2.8
20.0				3.5	3.2	3.0	2.9	2.8	2.6
22.0				3.3	3.0	2.9	2.7	2.6	2.5
24.0				3.0	2.9	2.8	2.5	2.5	2.4
26.0				2.8	2.8	2.7	2.3	2.3	2.3
28.0				2.4	2.6	2.6	2.2	2.2	2.2
30.0				2.1	2.2	2.3	2.0	2.0	2.0
32.0				1.9	1.9		1.8	1.9	1.9
34.0				1.6	1.7		1.6	1.7	1.7
36.0				1.4			1.4	1.4	
38.0							1.2	1.2	
40.0							1.0	1.0	



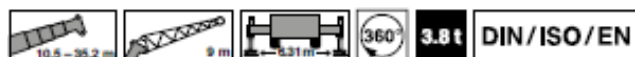
m	10.5 m + 9.0 m			30.3 m + 9.0 m			35.2 m + 9.0 m		
	0°	20°	40°	0°	20°	40°	0°	20°	40°
3.0	6.5								
3.5	6.5								
4.0	6.5	6.5							
4.5	6.5	6.5							
5.0	6.5	6.4							
6.0	6.5	6.0		5.1					
7.0	6.5	5.6	4.7	5.1					
8.0	6.4	5.4	4.5	5.1			4.0		
9.0	6.0	5.1	4.4	5.1	4.6		4.0		
10.0	5.6	4.9	4.2	5.1	4.4		4.0		
11.0	5.3	4.6	4.1	4.9	4.2		4.0	3.7	
12.0	5.0	4.4	4.0	4.7	4.1	3.8	4.0	3.5	
14.0	4.6	4.1	3.9	4.4	3.8	3.5	3.7	3.3	3.1
16.0	4.2	4.0		4.1	3.6	3.3	3.4	3.1	2.9
18.0				3.8	3.4	3.2	3.2	2.9	2.8
20.0				3.6	3.2	3.1	3.0	2.8	2.7
22.0				3.2	3.1	3.0	2.8	2.6	2.6
24.0				2.7	2.9	2.8	2.6	2.5	2.5
26.0				2.3	2.5	2.5	2.3	2.4	2.4
28.0				2.0	2.1	2.2	1.9	2.1	2.2
30.0				1.7	1.8	1.8	1.7	1.8	1.8
32.0				1.4	1.5		1.4	1.5	1.6
34.0				1.2	1.3		1.2	1.3	1.3
36.0				1.1			1.0	1.1	
38.0							0.8	0.9	
40.0							0.7	0.7	

TADANO FAUN

HK 40



m	10.5 m + 9.0 m			30.3 m + 9.0 m			35.2 m + 9.0 m		
	0°	20°	40°	0°	20°	40°	0°	20°	40°
3.0	6.5								
3.5	6.5								
4.0	6.5	6.5							
4.5	6.5	6.5							
5.0	6.5	6.4							
6.0	6.5	6.0		5.1					
7.0	6.5	5.6	4.7	5.1					
8.0	6.4	5.4	4.5	5.1			4.0		
9.0	6.0	5.1	4.4	5.1	4.6		4.0		
10.0	5.6	4.9	4.2	5.1	4.4		4.0		
11.0	5.3	4.6	4.1	4.9	4.2		4.0	3.7	
12.0	5.0	4.4	4.0	4.7	4.1	3.8	4.0	3.5	
14.0	4.6	4.1	3.9	4.3	3.8	3.5	3.7	3.3	3.1
16.0	4.2	4.0		4.0	3.6	3.3	3.4	3.1	2.9
18.0				3.7	3.4	3.2	3.2	2.9	2.8
20.0				3.4	3.2	3.0	2.9	2.8	2.6
22.0				2.9	3.0	2.9	2.7	2.6	2.5
24.0				2.4	2.6	2.7	2.4	2.5	2.4
26.0				2.0	2.2	2.3	2.0	2.2	2.3
28.0				1.7	1.8	1.9	1.7	1.8	1.9
30.0				1.4	1.5	1.6	1.4	1.5	1.6
32.0				1.2	1.3		1.2	1.3	1.3
34.0				1.0	1.0		1.0	1.0	1.1
36.0				0.8			0.8	0.8	
38.0							0.6	0.7	
40.0							0.5	0.5	



m	10.5 m + 9.0 m			30.3 m + 9.0 m			35.2 m + 9.0 m		
	0°	20°	40°	0°	20°	40°	0°	20°	40°
3.0	6.5								
3.5	6.5								
4.0	6.5	6.5							
4.5	6.5	6.5							
5.0	6.5	6.4							
6.0	6.5	6.0		5.1					
7.0	6.5	5.6	4.7	5.1					
8.0	6.4	5.4	4.5	5.1			4.0		
9.0	6.0	5.1	4.4	5.1	4.6		4.0		
10.0	5.6	4.9	4.2	5.1	4.4		4.0		
11.0	5.3	4.6	4.1	4.9	4.2		4.0	3.7	
12.0	5.0	4.4	4.0	4.7	4.1	3.8	4.0	3.5	
14.0	4.6	4.1	3.9	4.3	3.8	3.5	3.7	3.3	3.1
16.0	4.2	4.0		4.0	3.6	3.3	3.4	3.1	2.9
18.0				3.7	3.4	3.2	3.2	2.9	2.8
20.0				3.3	3.2	3.0	2.9	2.8	2.6
22.0				2.8	3.0	2.9	2.7	2.6	2.5
24.0				2.3	2.5	2.6	2.3	2.5	2.4
26.0				1.9	2.1	2.2	1.9	2.1	2.2
28.0				1.6	1.8	1.8	1.6	1.7	1.8
30.0				1.4	1.5	1.5	1.3	1.5	1.5
32.0				1.1	1.2		1.1	1.2	1.3
34.0				1.0	1.0		0.9	1.0	1.0
36.0				0.8			0.7	0.8	
38.0							0.6	0.6	